

PARTS LEGEND

IM65A F16

Part No. 013310 (EU), 013311 (UK)

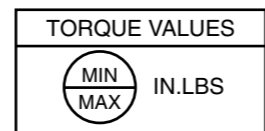
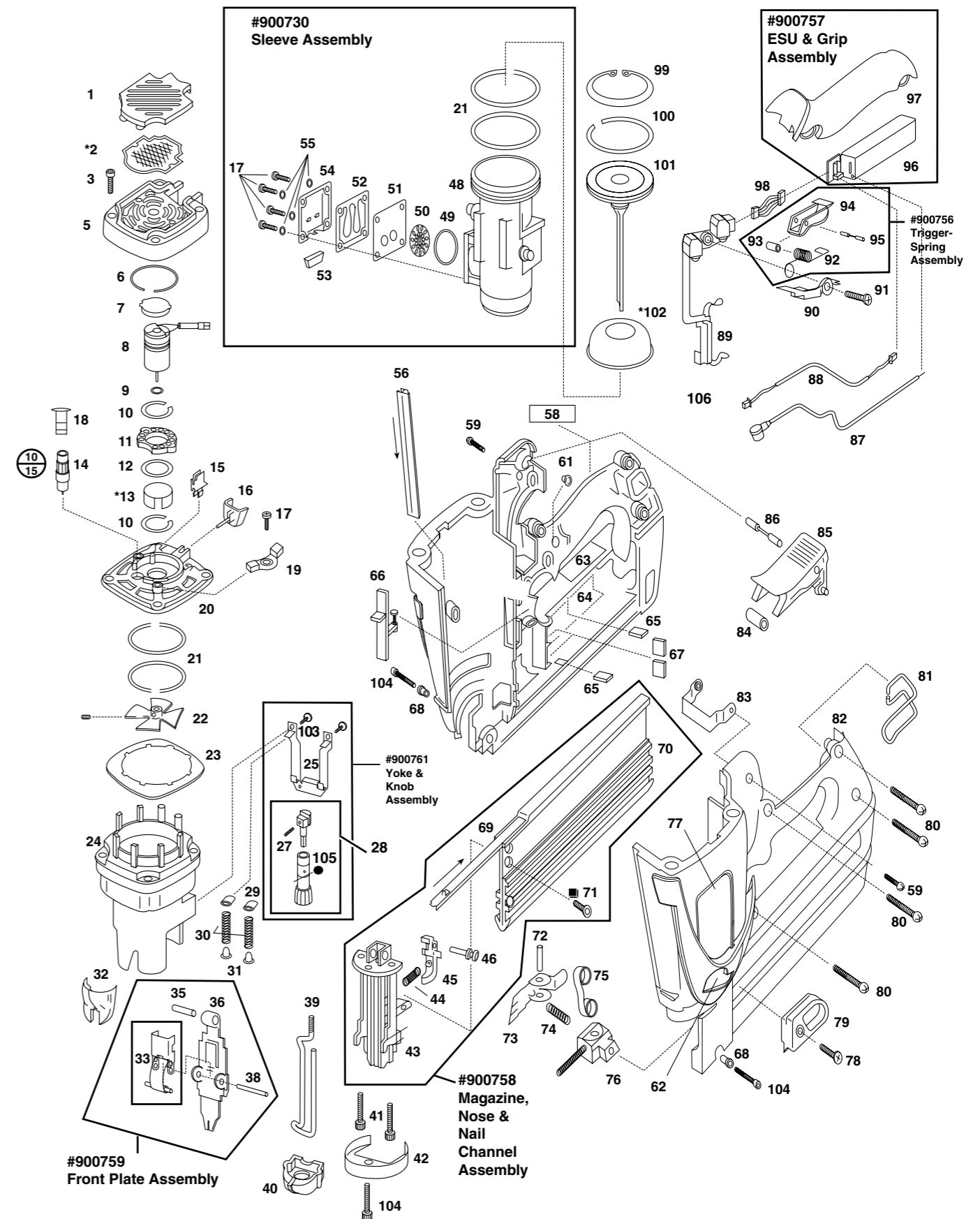
1	013715	1	Grill black	55	404468	4	Washer
*2	900648	1	Filter	56	900620	1	Front Channel Extrusion
3	901064	4	Shoulder Screw 8-32 x 1-3/8"	58	013713	1	Nameplate
4	900596	1	Screw, Sems 8-32 x 7/16"	59	900598	2	Sems Screw 10-32 x 5/16"
5	902011	1	Cap black	61	404385	1	Light Pipe
6	900649	1	Retaining Ring	62	013714	1	P Handle Label
7	900716	1	Cover/Tension Reliever	63	013671	1	Warning Label Top
8	900524	1	Fan Motor Assembly	64	013672	1	Warning Label Bottom
9	900468	1	Washer, Motor Shaft	65	404922	2	Battery Contact Pad
10	900647	1	Retaining Ring	66	900726	1	Slide Switch Assembly
11	900624	1	Motor Mount Assembly	67	401450	2	Battery Pad
12	900646	1	Wave Washer	68	900745	2	Bushing, Handle
*13	401356	1	Motor Sleeve	69	900770	1	Brad Channel
14	900714	1	Spark Plug Assembly	70	900773	1	Magazine Extrusion
15	900674	1	Wire Clip	71	900660	2	Screw 10-32 x 3/8"
16	900697	1	Stem Adapter	72	900722	1	Follower Pin
17	405140	4	Screw 8-32 x 3/8" (red)	73	900679	1	Follower
18	900785	1	Insulator	74	900691	1	Compression Spring
19	900739	1	Cylinder Head Circuit Board Ass.	75	900627	1	Negator Spring
20	900605	1	Cylinder Head	76	900720	1	Follower Core
21	900612	4	Seal Ring	77	013709	2	Housing Label
22	900709	1	Fan Assembly	78	900724	1	Screw Plastite 8-16 x 5/8"
23	900700	1	Air Dam	79	900617	1	Follower Body
24	900729	1	Combustion Chamber Assembly	80	900453	4	Screw Plastite
25	900704	1	Yoke	81	900289	1	Belt Hook
27	900734	1	Roll Pin	82	013703	1	Handle assembly - Right & Left
28	900727	1	Knob w/ Yoke Guide Assembly	83	900703	1	Handle Bracket
29	900707	2	Probe Bumper	84	900755	1	Bushing Actuator
30	900671	2	Spring, Combustion Chamber	85	900788	1	Actuator
31	900706	2	Spring Guide	86	404433	1	Pin Actuator
32	013706	1	Latch Cover Quick Black	87	900765	1	Spark Plug Wire Assembly
33	900786	1	Quick Clear Lever Assembly	88	900663	1	Fan Wire Assembly
35	900619	1	Dowel Pin	89	900661	1	Molded Circuit Assembly
36	900684	1	Front Plate	90	900629	1	High Tension Clip
38	900685	1	Latch Cover Pin	91	404702	1	Screw 6-32 x 3/8"
39	900686	1	Probe	92	900626	1	Trigger Spring
40	900702	1	Probe Tip	93	900608	1	Trigger Spring Bushing
41	900708	2	S.H.C.S. 8-32 x 1/2" (red)	94	900632	1	Trigger with Pad
42	900692	1	Retaining Cup	95	900607	1	Trigger Pin
43	900772	1	Nose	96	900672	1	Electronic Spark Unit
44	900631	1	Spring	97	900696	1	Soft Grip
45	900602	1	Lockout Bar	98	900662	1	ESU Power Wire Assembly
46	900630	1	Lockout Pin	99	403099	1	Retaining Ring
48	900730	1	Sleeve Assembly	100	403098	1	Piston Ring
49	900616	1	O-Ring	101	900728	1	Piston Assembly
50	901089	1	Exhaust Baffle	*102	900680	1	Piston Bumper
51	900665	1	Reed Plate	103	900746	2	Screw 8-32 x 7/16"
52	900664	1	Reed Valve	104	900754	3	Screw 8-32 x 1/2" (yellow)
53	900609	1	Muffler	105	900645	1	Ball, knob
54	900668	1	Muffler Cover	106	900766	1	Pad, Molded Circuit Board

* Denotes Normal Wear Items

■ Apply Loctite RC-620 (Green) Part No. 401491

IM65A F16

Part No. 013310 (EU), 013311 (UK)



ACCESSORIES

Car Adapter

Enables you to re-charge your battery with your vehicle's electrical system.



Part No. 900507

Battery Cell



Part No. 404717

Battery Charger Kit

(Replacement Charger Base Only Part No. 035460)
(Replacement Transformer Only Part EU No. 900505)
(Replacement Transformer Only Part UK No. 900506)



Part No. 900200

No-Mar Tip - 3 Pk.

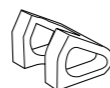
Contains 3 of #900702 tips



Part No. 219236

Special Panelling No-Mar Tip

Position the nailer for a 45 degree shot



Part No. 012027

9/64" Hex Key

For cleaning tool.



Part No. 900736

Orange Safety Glasses



Part No. 011117

Paslode Intensive Tool Cleaner 300 ml



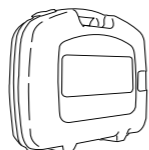
Part No. 115521

Paslode Impulse Lubricating Oil



Part No. 401482

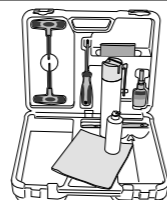
Carrying Case



Part No. 013301

Cleaning Kit

Contains all the necessary to clean any Impulse tool



Part No. 013060

Paslode[®]
An Illinois Tool Works Company
Route de Lyon - BP 104
F - 26501 Bourg Les Valence - Cedex France

Paslode[®]
Impulse

Part No. 013310 (EU), 013311 (UK)

16 GAUGE ANGLED FINISH NAILER



IM65A F16

IMPORTANT! DO NOT DESTROY

Always refer to operating and safety instructions (#013395 & #013207) for detailed information on this tool. It is the customer's responsibility to have all operators and service personnel read and understand this information.

TOOL SCHEMATIC AND PARTS